

Power FULL STOP

... nothing else

TRANSFORMER ANTI-VIBRATION PADS

www.powerfullstop.com

More Power with **Power** FULL STOP
... nothing else

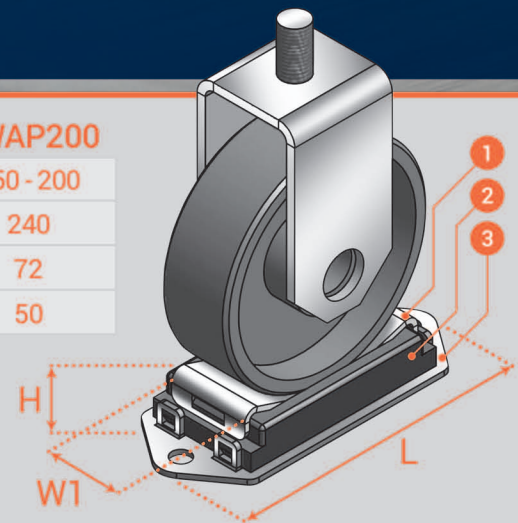
Advantages

- Reduction of vibration and noise
- Easy to install
- Ready on stock
- Full transformer range

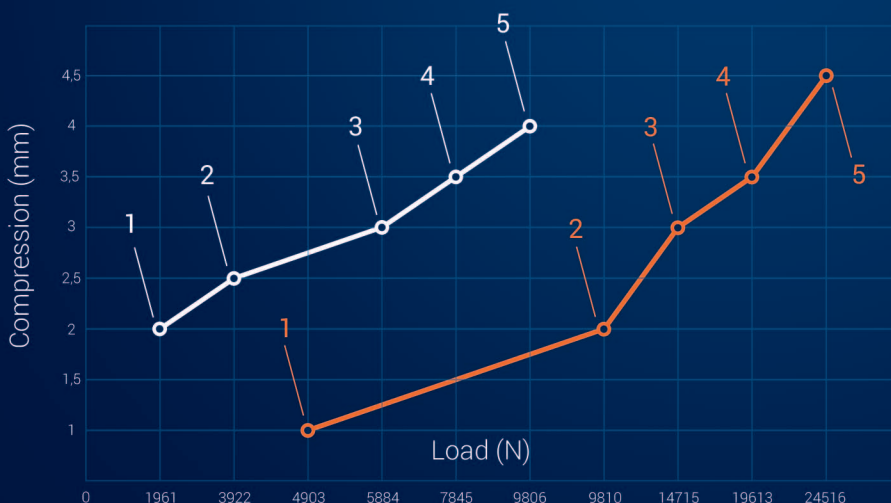
PWAP125 PWAP200

Ø (mm)	up to 125	150 - 200
L (mm)	165	240
W1 (mm)	45	72
H (mm)	30	50

- 1 Wheel base
- 2 Rubber
- 3 Base frame



Transformer overload % chart



- up to Ø 125 mm
- from Ø 150 up to 200 mm

Isolation Value (%):

	Ø 125	Ø 150-200
1	94,8	95
2	95	96,7
3	95,8	97,3
4	97	97,6
5	97,8	97,9